



# LTC 9230/00 Roof Parapet Mount



- ▶ Accepts all Bosch AutoDome Systems
- ▶ Roof-mount available
- ▶ Swivels to allow easy positioning
- ▶ Sturdy construction
- ▶ Attractive appearance
- ▶ Lightweight
- ▶ Corrosion-resistant finish

The Bosch LTC 9230/00 Parapet Mount has been designed for Bosch AutoDome® installations up to a rated load of 29 kg (64 lb). It is made of lightweight aluminum and features welded construction providing an extremely rigid dome mount.

The mount can be fitted on the inside or outside of parapets and can be swiveled to allow for easy positioning and servicing access to the AutoDome. Also available is the LTC 9230/01 Roof-mount which enables the parapet to be mounted on a flat surface.

## Installation/Configuration Notes

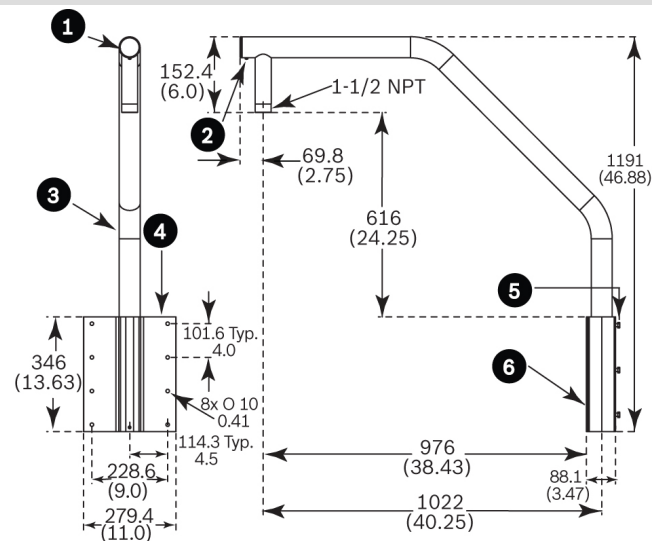


Figure 1: Dimensional Outline - LTC 9230/00 Parapet Mount (Shown with included wall mount bracket.)

1. End cap
2. 10-24 x 5/16 pan head screw stainless steel (one included)
3. Pipe arm
4. Mounting bracket
5. 3/8-18 x 3/4 hex head bolt, stainless steel (three included)
6. Mounting surface

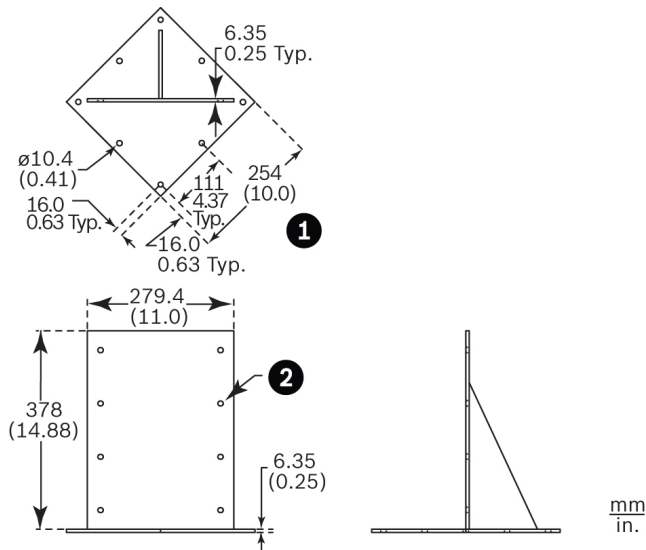


Figure 2: Optional LTC 9230/01 Roof Mount

1. Square
2. Hole pattern to match that of wall mount LTC 9230/00

**Ordering Information**

**LTC 9230/00 Roof Parapet Mount**

**LTC 9230/00**

For EnviroDome and outdoor fixed dome housings, 106.68 cm (42 in.) arm, 3.81 cm (1.5 in.) NPT

**Technical Specifications**

**Mechanical**

Maximum Load	29 kg (64 lb)
Load center of gravity located in line with load attachment point	
Load attachment point uses 1-1/2 NPT (Pipe thread)	
Mounting Hardware	Not furnished
Finish	White
Construction	Aluminum
Dimensions	See dimensional outline
Weight	7.7 kg (17 lb)

Note: Do not mount the LTC 9230/00 in an inverted position.

**Accessories**

LTC 9230/01 Roof-mount

For mounting unit in an upright position on a flat surface

AutoDome® is registered by Bosch Security Systems, Inc. in the US Patent Trademark Office

**Americas:**  
 Bosch Security Systems, Inc.  
 130 Perinton Parkway  
 Fairport, New York, 14450, USA  
 Phone: +1 800 289 0096  
 Fax: +1 585 223 9180  
 security.sales@us.bosch.com  
 www.boschsecurity.us

**Europe, Middle East, Africa:**  
 Bosch Security Systems B.V.  
 P.O. Box 80002  
 5600 JB Eindhoven, The Netherlands  
 Phone: + 31 40 2577 284  
 Fax: +31 40 2577 330  
 emea.securitysystems@bosch.com  
 www.boschsecurity.com

**Asia-Pacific:**  
 Bosch Security Systems Pte Ltd  
 38C Jalan Pemimpin  
 Singapore 577180  
 Phone: +65 6319 3450  
 Fax: +65 6319 3499  
 apr.securitysystems@bosch.com  
 www.boschsecurity.com

**Represented by**